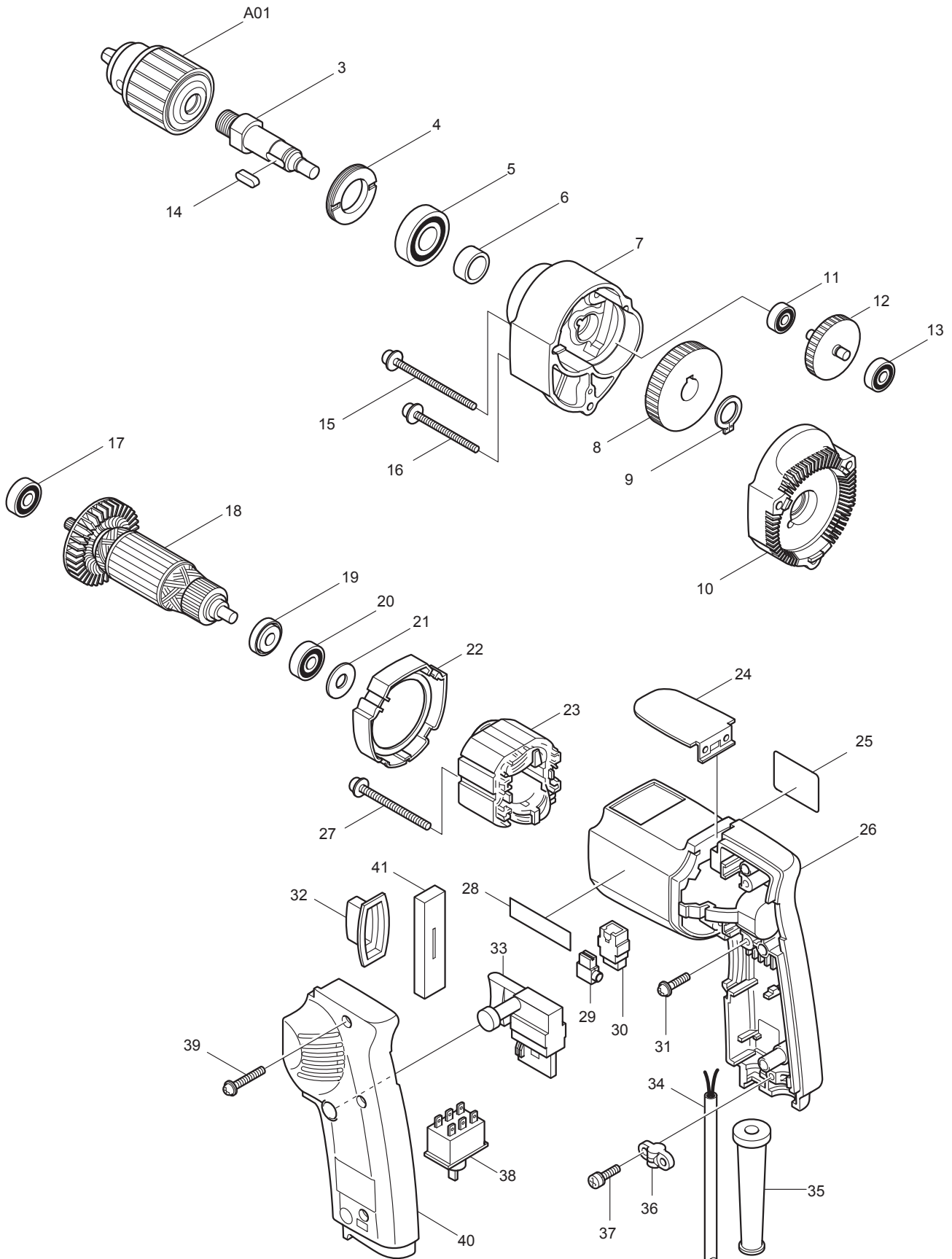




02 - 2010  
6302H / 6302HK  
1/2" DRILL V.S. 0-550RPM



## PARTS LIST

Item No	Type	Part No	Description	Qty	Unit
003		324197-4	SPINDLE	1	PC.
004		285807-7	BEARING RETAINER 22-36	1	PC.
005	1	211206-7	BALL BEARING 6202LLB	1	PC.
006		257018-4	RING 15	1	PC.
007		151765-8	GEAR HOUSING COMPLETE	1	PC.
007	INC.	263002-9	RUBBER PIN 4	1	PC.
007	INC.	951051-5	SPRING PIN 3-8	1	PC.
008		221979-4	SPUR GEAR 52	1	PC.
009		961054-1	RETAINING RING S-14	1	PC.
010		157904-8	GEAR HOUSING COVER COMPLETE	1	PC.
010	INC.	263002-9	RUBBER PIN 4	2	PC.
011		211012-0	BALL BEARING 606ZZ	1	PC.
012		226078-7	GEAR COMPLETE 7-46	1	PC.
013		211020-1	BALL BEARING 626Z	1	PC.
014		254211-1	KEY 5	1	PC.
015		911193-7	PAN HEAD SCREW M4X65	2	PC.
016		911178-3	PAN HEAD SCREW M4X50	1	PC.
017		211031-6	BALL BEARING 608LLB	1	PC.
018		511836-7	ARMATURE ASS'Y 115V	1	PC.
018	INC.		Item No. 17,19,20		
019		681614-0	INSULATION WASHER	1	PC.
020		211028-5	BALL BEARING 627LB	1	PC.
021		253192-6	FLAT WASHER 14	1	PC.
022		414594-3	BAFFLE PLATE	1	PC.
023		633056-4	FIELD 115V	1	PC.
024		343407-0	HOOK	1	PC.
025		851885-5	NAME PLATE 6302H	1	PC.
026		159010-5	MOTOR HOUSING COMPLETE	1	PC.
026	INC.	263014-2	RUBBER PIN 4	1	PC.
027		911581-8	PAN HEAD SCREW M4X55	2	PC.
028		819063-3	MAKITA LABEL	1	PC.
029		686015-7	RECEPTACLE SLEEVE	2	PC.
030	2	195005-4	CARBON BRUSH CB-401 2PC/SET (W/ ORIGIN)	1	SET
031		911124-6	PAN HEAD SCREW M4X14	1	PC.
032		421144-7	DUST COVER	1	PC.
033		650208-2	SWITCH TG833TB-1	1	PC.
034		664064-4	CORD W/PLUG 2P-18-2.5M, SJ	1	PC.
035		682502-4	CORD GUARD 8-85	1	PC.

Item No	Type	Part No	Description	Qty	Unit
036		687002-9	STRAIN RELIEF	1	PC.
037		911133-5	PAN HEAD SCREW M4X18	2	PC.
038		651478-6	SWITCH VTX11	1	PC.
039		911153-9	PAN HEAD SCREW M4X28	3	PC.
040	2	151865-4	HANDLE COVER COMPLETE (W/ EN, FR LABEL)	1	PC.
041		685717-2	SPONGE SHEET	1	PC.
042		411780-7	KEY HOLDER 10	1	PC.
100		654086-2	RECEPTACLE	2	PC.
A01		763145-2	1/2" DRILL CHUCK S13	1	PC.
A02		763434-5	CHUCK KEY 10	1	PC.
A02	Opt.	763411-7A	CHUCK KEY	1	PC.
A03		122593-8	GRIP ASS'Y	1	PC.
A03	INC.	415485-1	GRIP BASE	1	PC.
A03	INC.	921919-9	HEX. BOLT M8X110	1	PC.
A04		824658-9	PLASTIC CARRYING CASE (6302HK)	1	PC.
A04	INC.	417897-4	LATCH	2	PC.
A05		415486-9	DEPTH GAUGE	1	PC.
C01		843194-6	CARTON F/6302H, 6303H	1	PC.